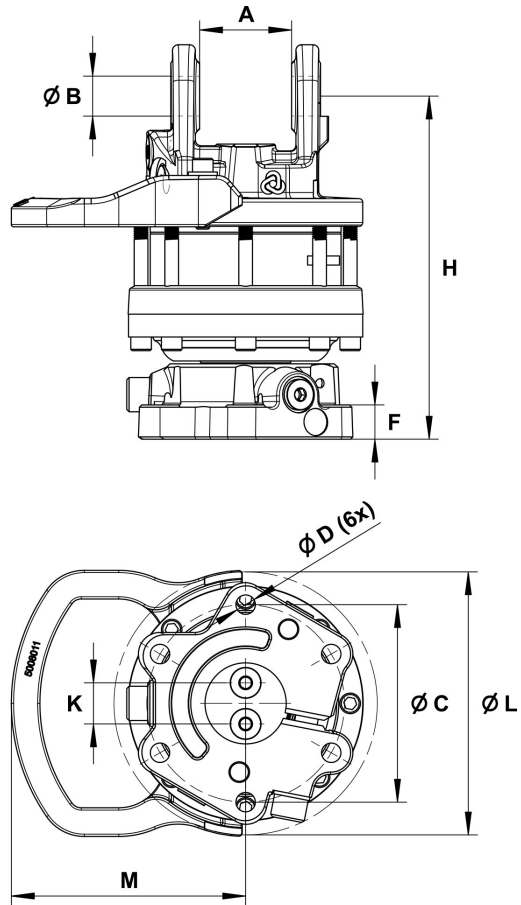
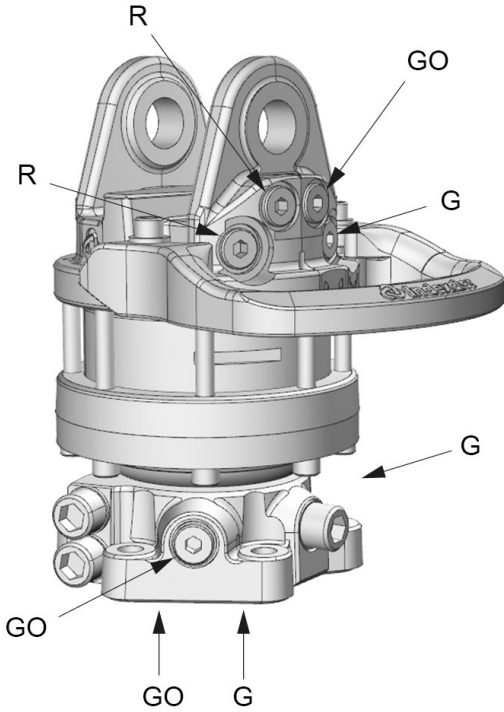











# GV 6

Part No.: 5006285



Upper connection	Lower connection
G 1/2	G 1/2

A: 80,5 mm	B: Ø35 mm	C: Ø173 mm	D: Ø17 mm	F: 30 mm	H: 300 mm	K: 36 mm	L: Ø231 mm	M: 205 mm
---------------	--------------	---------------	--------------	-------------	--------------	-------------	---------------	--------------

		Max 	Max 		Max 	Max 	Max 	Max 
44.9 kg	360°	60 kN	25 kN	1400 Nm	25 l/min	20 MPa	20 MPa	30 MPa

Adapter sets are available for alternative connections.

We reserve the right to make product changes. For further technical information relating to integration and hydraulic connections, please contact [rotator@indexator.com](mailto:rotator@indexator.com)